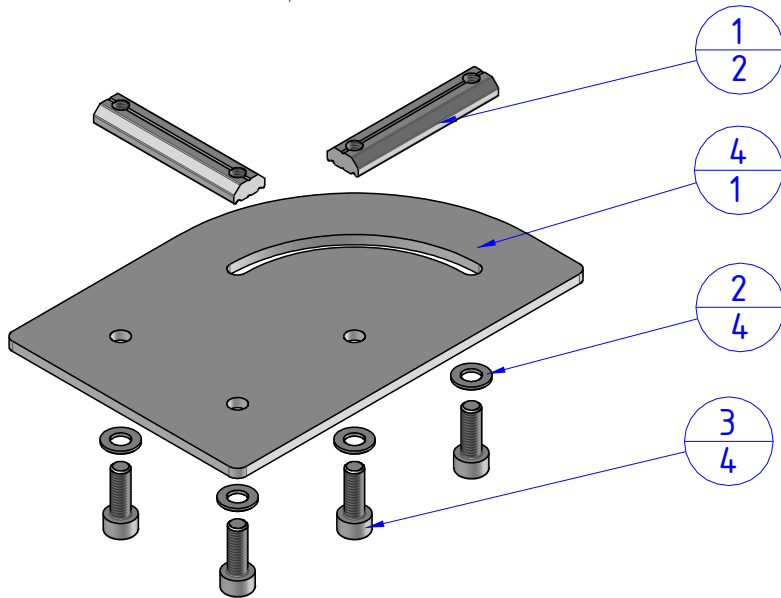
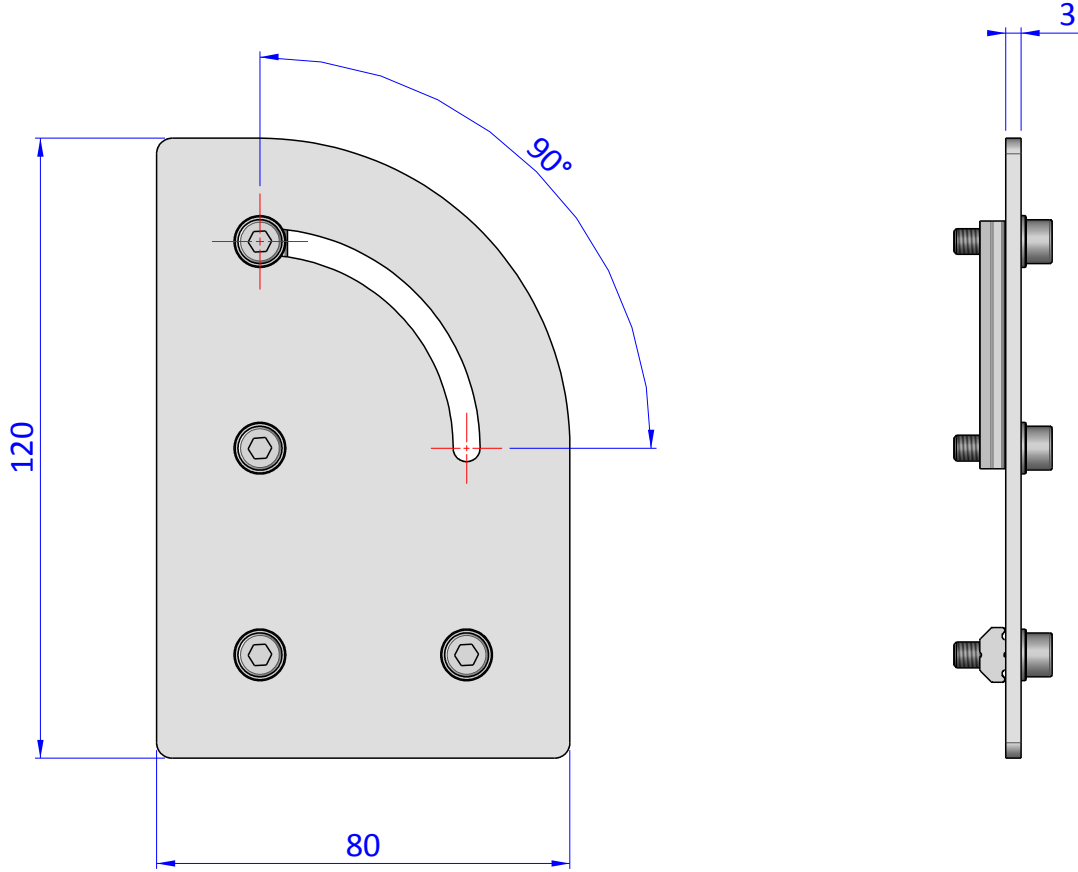
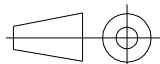


Item	Name	Q.ty
1	CA.GWP.5.40	2
2	R.5	4
3	V.TCE5x14	4
4	VBW.JU.0.90	1



THE PROPERTY OF THE DRAWING IS ESTABLISHED BY LAW. IT IS FORBIDDEN TO PRODUCE OR SHOW IT TO THIRD PART. WITHOUT A WRITTEN AGREEMENT.



DESIGNED FROM FP SERVICES		REVIEW A
DATE 30/04/2016	WEIGHT 0,249kg	
CODE CA.VBW.JU.0.90		

Format **A4**
UNI 936-76

GENERAL TOLERANCE
UNI - ISO 2768
CLASSE f

DESCRIPTION
CA.VBW.JU.0.90